



YARIMKÜRE İNŞAAT MÜMESSİLLİK TURİZM İTHALAT İHRACAT SANAYİ VE TİCARET LİMİTED ŞİRKETİ

Address:

Mutlukent Mahallesi
Ankara 85 Sitesi
2020. Sokak No.21
Beysukent, Çankaya
06800 Ankara
Türkiye
Doğanbey V.D. 9380023742

Tel: +90-312-236 3217

Mobile: +90-532-2818466

Fax: +90-312-236 0276

Email: ayhan@hempipe.com

Web: www.hempipe.com

Tic.Sic./Reg. No.79333

Ticaret Oda / CoC No.3/6750

ISO 9001:2008 Certificate No. 55929

HIGH PRESSURE VALVES

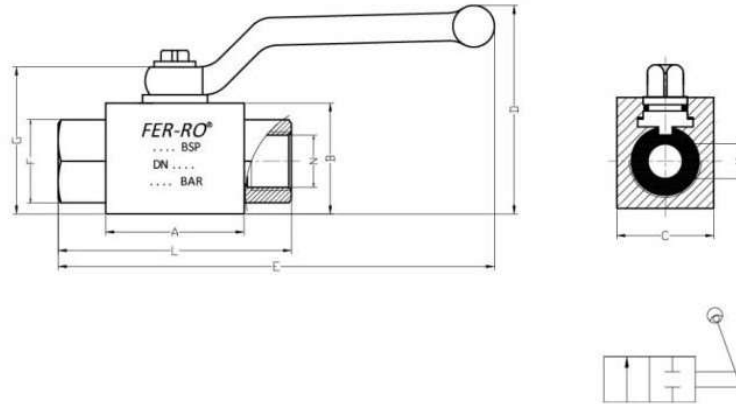
Our company supplies following types of high pressure valves for hydrostatic testing applications:

1. BALL VALVES

BV2 SERIES



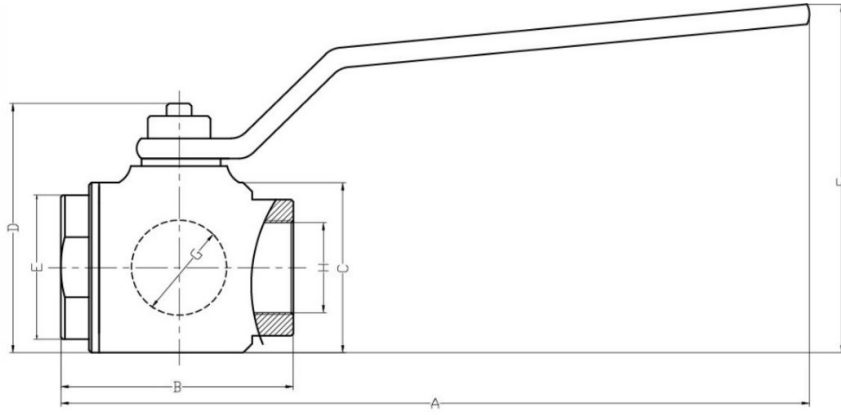
BV2 series Hydraulic 2-Way Ball Valves are made up of carbon steel or stainless steel from 1/4" to 2" with BSP or NPT ends. Due to their volumetric structure they work rapidly and efficiently, and prevent cavitation. BV2 Series Ball Valves can be locked in the open or closed position through locking washer on the circle pin. Internal ball is hard chrome coated steel and delrin (POM) seated.



Teknik Özellikler Technical Specifications

Kod (Code)	Vida Ölçüsü (Thread Size) N	Çalışma Basıncı (Working Pressure) Bar	Ölçüler - mm (Dimensions) - mm								
			A	B	C	D	E	F	G	L	M
BV2G14N	1/4" BSP	500	45	35	30	77	142	24	48	75	DN10
BV2G38N	3/8" BSP	500	45	35	30	77	142	24	48	75	DN10
BV2G12N	1/2" BSP	500	50	40	35	82	147	30	53,50	84	DN13
BV2G34N	3/4" BSP	400	60	55	45	111	221	38	73	96	DN20
BV2G1N	1" BSP	400	70	60	55	116	235	46	78	118	DN25
BV2G114N	1 1/4" BSP	380	70	60	55	116	235	50	78	134	DN25
BV2G112N	1 1/2" BSP	380	70	60	55	116	235	55	78	140	DN25

BV2FB SERIES



Teknik Özellikler Technical Specifications

Kod (Code)	Vida Ölçüsü (Thread Size) H	Çalışma Basıncı (Working Pressure) Bar	Ölçüler - mm (Dimensions) - mm						
			A	B	C	D	E	F	G
BV2FBG114N	1 1/4" BSP	500	-	-	-	-	-	-	-
BV2FBG112N	1 1/2" BSP	500	315	125	87	127	65	160	DN38
BV2FBG2N	2" BSP	500	330	145	104	148	80	180	DN48

2. NEEDLE VALVES

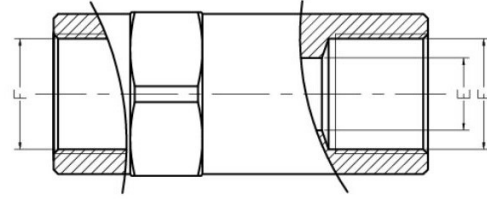
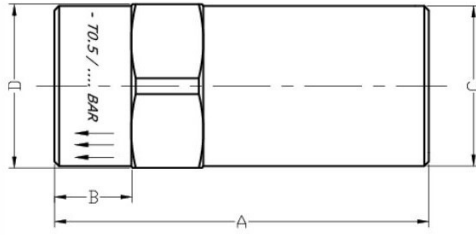


Technical Specifications

Kod (Code)	Çalışma Basıncı (Working Pressure) Bar	Ölçüler - mm (Dimensions) - mm							
		A	B Min	B Max	C	D	E	F	G
HNVN38F	700	63.50	90	95	63	35	22	30	3/8" 18 NPT
HNVN38M	700	68.50	90	95	63	35	22	30	3/8" 18 NPT

3. CHECK VALVES

CV Series Hydraulic Check Valves provide free flow in one direction while the opposite direction is shut-off. They are also used for by-pass of throttle points, for flow prevention in one direction, for discharging valve and for hold valve. Opening pressure of CV Series Hydraulic Check Valves is 0,5 Bar. 6-8 Bar opening pressure is optional.



Teknik Özellikler Technical Specifications

Kod (Code)	Vida Ölçüsü (Thread Size) F	Açma Basıncı (Crack Pressure) Bar	Çalışma Basıncı (Working Pressure) Bar	Ölçüler - mm (Dimensions) - mm				
				A	B	C	D	E
CVG18N	1/8" BSP	0.5	580	46,50	9	14,50	15	5
CVG14N	1/4" BSP	0.5	450	55	10	18,50	19	7,20
CVG38N	3/8" BSP	0.5	450	60	11	21,50	22	9,50
CVG12N	1/2" BSP	0.5	400	70	12	26	27	11,60
CVG34N	3/4" BSP	0.5	380	83	17	35	36	16
CVG1N	1" BSP	0.5	350	98	20	40	41	19
CVG114N	1 1/4" BSP	0.5	350	110	21	49	50	24,50
CVG112N	1 1/2" BSP	0.5	280	115	22	58	60	31,50
CVG2N	2" BSP	0.5	260	130	25	73	75	42