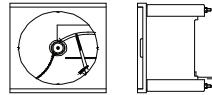

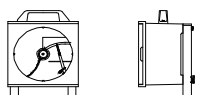


High Pressure/Temperature Recorders



Features

- Mechanical chart recorders for pressure available in 192x192mm, 280x280mm and 380x380mm for surface and flush mounting
- Pressure from 1-1600 bar
- Also in portable design
- multiple clockworks available
- Also available as dual pen recorder and pressure temperature recorder combination

TYPE	MODEL	CASE DIMENSIONS		
		192 x 192 mm	280 x 280 mm	380 x 380 mm
H PANEL MOUNTING		RPX192x192XH	RPX280x280XH	RPX380x380XH
B SURFACE MOUNTING		RPX192x192XB	RPX280x280XB	RPX380x380XB
T TRANSPORTABLE		RPX192x192XT	RPX280x280XT	RPX380x380XT

SPECIFICATIONS

PRESSURE

TEMPERATURE

Measurement Range	-1/0.6 up to 0-60 bar, acc. to DIN (up to 1600 bar upon request)	in between -200 to +800C / minimum span of 80C
Accuracy	±1.0%F.S./class 1.0	±1.0%F.S./class 1.0
Case	Stainless Steel, AISI316L	
Wetted Parts	Bourdon Tube, AISI316	
Window	Plexiglass	
Pen Operation	Single or double-pen, writing with long-life fiber pens on disc	
Clockwork	Mechanical spring wound, 24-hour or 7 day rotation	
Connection	½" BSP or ½" NPT, AISI316L	
Charts Dimensions	Ø163mm for 192 x 192mm Ø223mm for 280 x 280mm Ø300mm for 380 x 380mm	
Movement	Brass, nickel plated	
Tprocess	Maximum 80°C	

OPTIONS

Temperature Recorder	Also available as dual pen recorder for pressure/temperature recorder
RPX-DUPLEX	double measuring system
ATEX (Gas: II 2Gc / Dust: II 2Dc)	Requires safety glass and blow out
Single Mechanical Clock	1, 4, 8 and 12 hours
Switchable Mechanical Clock	1hr / 15mins; 2hrs / 30mins; 1hr / 4hrs; 2hrs / 8hrs; 8hrs / 24hrs; 24hrs / 7days
Battery Operated Clock	60min-96min-12hr-1d-2d-7d-8d-14d-16d-31d-32d (Model 0820R001, counterclockwise rotation)
Spare Pens	Black, Red or Blue
See Selection of Bulb Length, Diameter & Connection for Capillary Models and Selection of Capillary for more options	

MODEL

DESCRIPTION

Type RPX	High Pressure Recorder with mechanical spring wound clock
Type RPX-DUPLEX	High Pressure/Temperature Recorder with mechanical spring wound clock



Selection of Bulb Length, Diameter & Connection for Capillary Models for Temperature Recorder

TYPE	STANDARD MODEL	BULB DIAMETER (Ø d)
A <i>plain stem</i>		9, 10, 12
		6, 6.35, 8, 11, 12.5, 13, 14
		7, 15, 16, 17, 18, 20

TYPE	MODEL	DIMENSIONS				
		connection	HEX-1	HEX-2	T	d max
B <i>coupling nut (standard model)</i>		1/4" BSP	22	-	7	Ø 8
		3/8" BSP	27	-	9	Ø 11
		1/2" BSP	27	-	9	Ø 15
		3/4" BSP	32	-	9	Ø 20
		1" BSP	41	-	13	Ø 20
A04 <i>turning nipple (standard model)</i>		1/4" BSP	17	-	12	Ø 8
		3/8" BSP	22	-	12	Ø 11
		1/2" BSP	22	-	14	Ø 15
		3/4" BSP	30	-	16	Ø 20
		1" BSP	36	-	18	Ø 20
B 01 <i>coupling nut + double nipple</i>		1/4" BSP	27	22	12	Ø8
		3/8" BSP	27	22	12	Ø11
		1/2" BSP	27	22	14	Ø15
		3/4" BSP	27	27	16	Ø20
		1" BSP	27	36	18	Ø20
		1/4" NPT	27	22	14	Ø8
		1/2" NPT	27	22	20	Ø15
		3/4" NPT	27	27	20	Ø20
1" NPT	27	36	25	Ø20		

HOW TO ORDER

Please specify Type/Model

Selection of Capillary



MATERIAL	MODEL	Ø d (mm)	Tmin	Tmax
			°C	
STAINLESS STEEL AISI321 / 1.4541		2	-260	+800
FLEXIBLE STAINLESS STEEL AISI304/1.4301		6	-260	+800
FLEXIBLE STAINLESS STEEL AISI316/1.4401		6	-260	+800

Connections For Capillary Models

TYPE	MODEL	DIMENSIONS				
		connection	HEX-1	HEX-2	T	d max
CS 2 <i>adjustable connection, sliding on capillary</i>	 THREAD BETWEEN HEX-1 and HEX-2: 1/2"BSP	1/4"BSP	22	27	12	Ø 11
		3/8"BSP	22	27	12	Ø 14
		1/2"BSP	22	27	14	Ø 18
		3/4"BSP	22	32	16	Ø 23
		1"BSP	22	36	18	Ø 30
		1/4"NPT	22	27	14	Ø 13
		1/2"NPT	22	27	20	Ø 20
		3/4"NPT	22	27	20	Ø 25
		1"NPT	22	36	25	Ø 32
CS 3 <i>adjustable connection, sliding on stem</i>	 THREAD BETWEEN HEX-1 and HEX-2: 1/2"BSP	1/4"BSP	22	27	12	Ø 8
		3/8"BSP	22	27	12	Ø 11
		1/2"BSP	22	27	14	Ø 15
		3/4"BSP	22	32	16	Ø 20
		1"BSP	22	36	18	Ø 20
		1/4"NPT	22	27	14	Ø 8
		1/2"NPT	22	27	20	Ø 15
		3/4"NPT	22	27	20	Ø 20
		1"NPT	22	36	25	Ø 20
FOR CONNECTION TYPE CS3	1/2"BSP female					
	3/4"BSP female					
	1"BSP female					

HOW TO ORDER

Please specify Type/Model

- Temperature
- Calibrator
- Pressure
- Humidity
- Recorder & Dataloggers
- Air Flow
- Level & Flow
- Portable Instruments
- EX Proof / IS
- Environment
- Aerospace